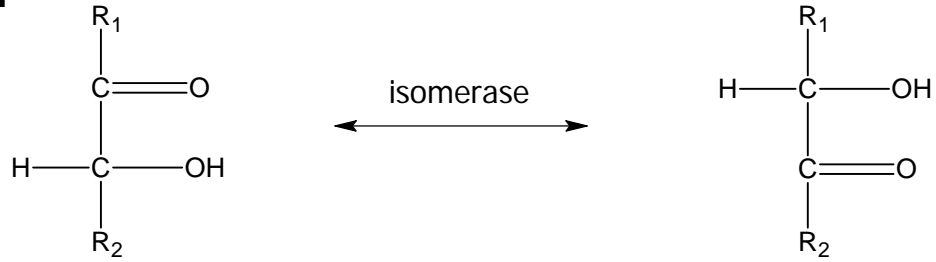


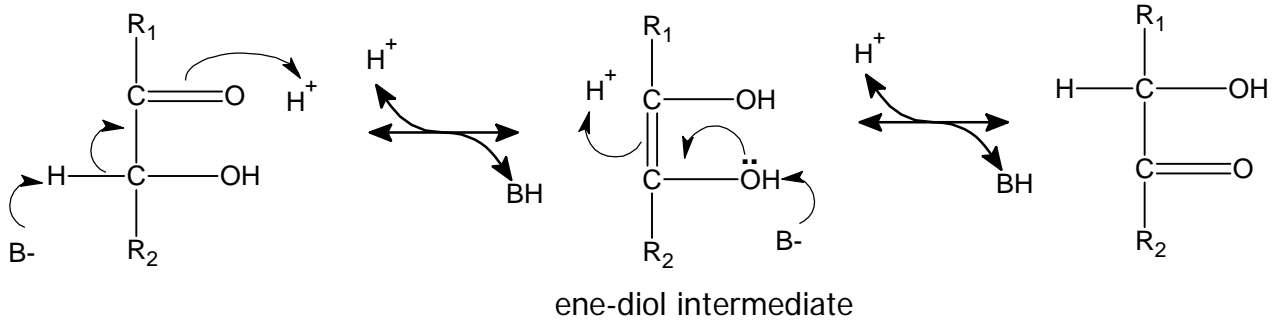
Mechanisms of Isomerase & Mutase

Isomerization

Overall Reaction



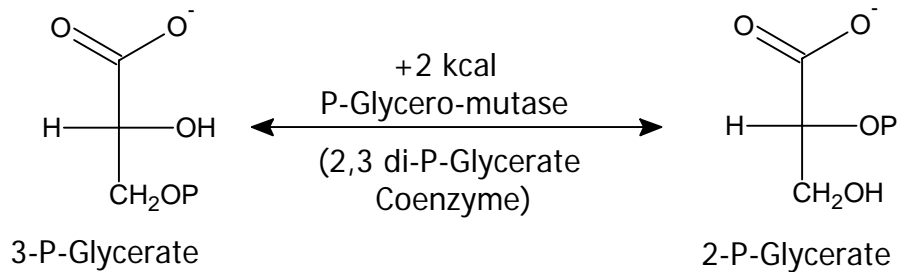
Mechanism (keto-enolization)



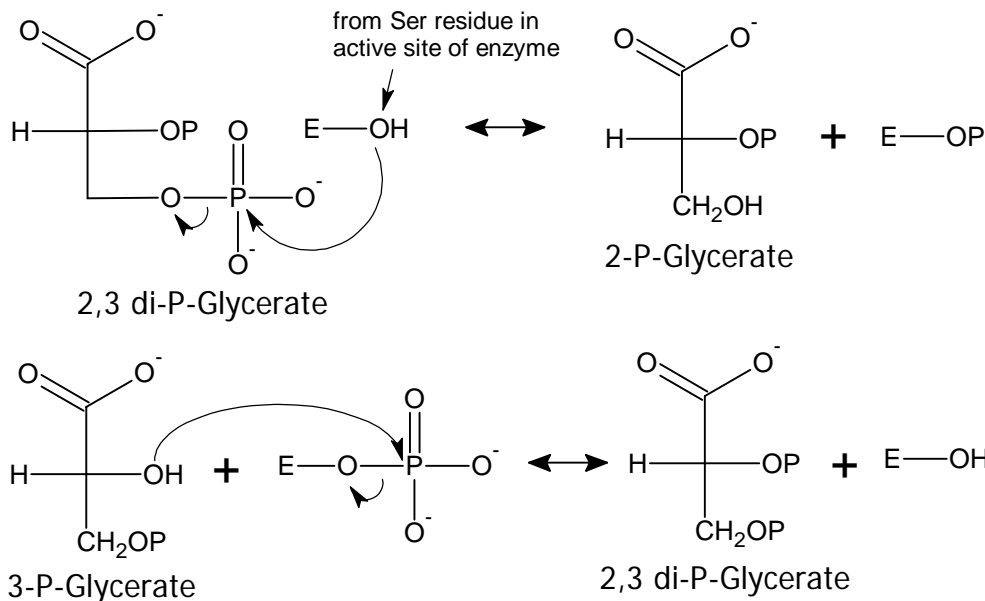
Example: Hexose-P-isomerase

Mutases

Overall Reaction



Mechanism



Other Example: P-Glucomutase using Glucose-1,6-diP